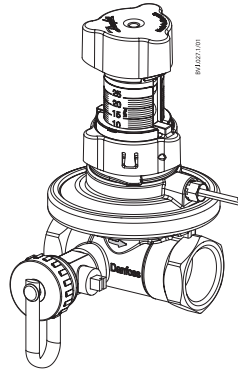
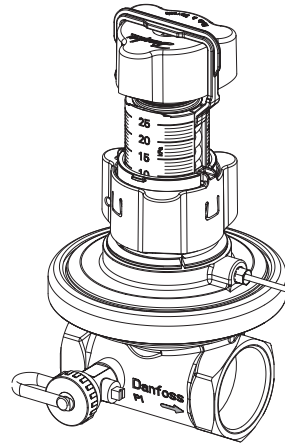


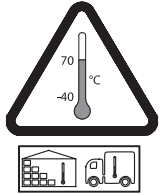
ASV-PV / DN 15-50 (4th gen.)



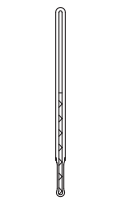
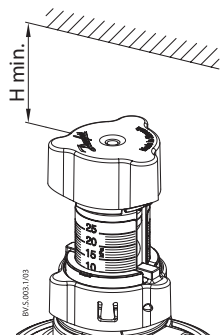
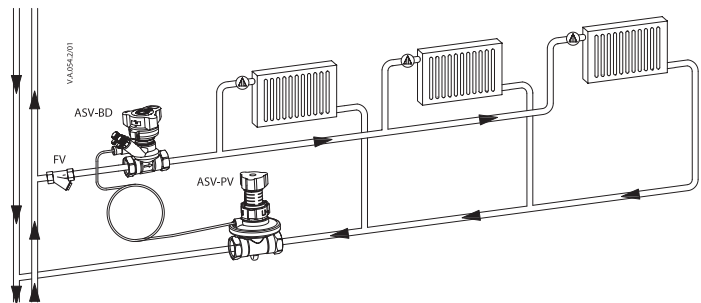
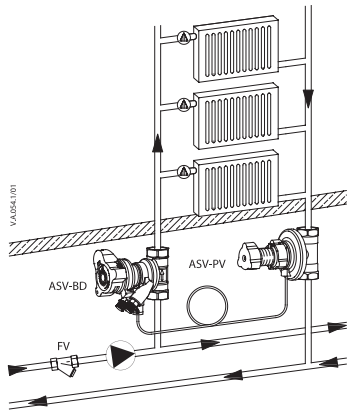
DN 15-25



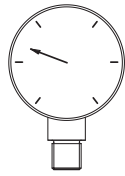
DN 32-50



Installation



0 ... 120 °C

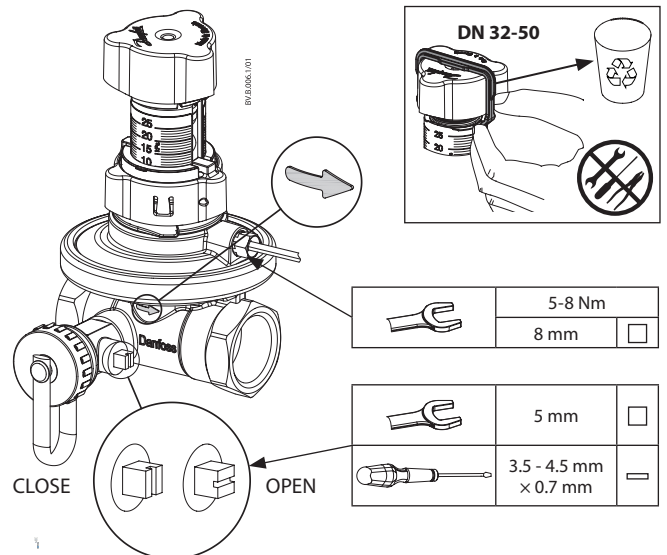


PN 16

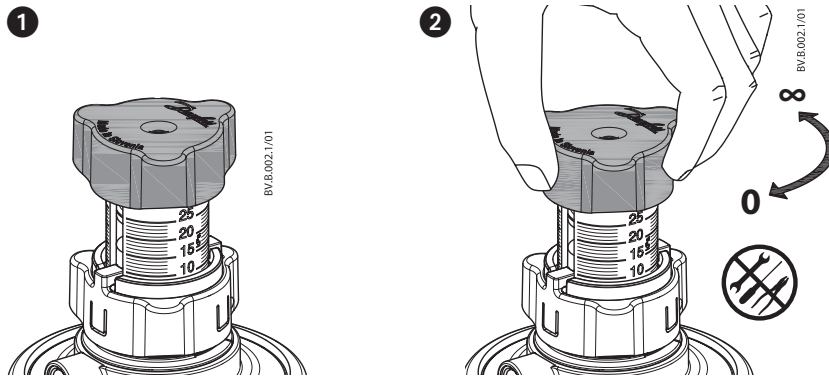


$\Delta p_{max.} = 150 \text{ kPa}$

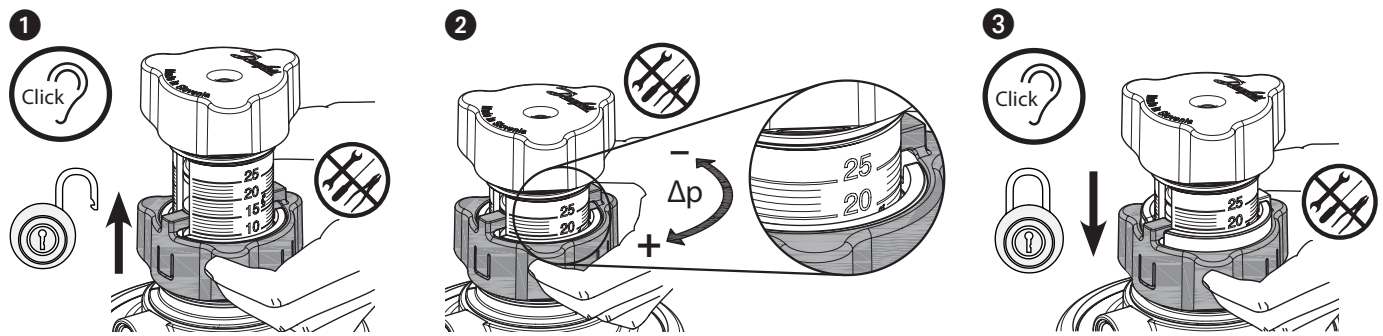
DN	H min.	Int. thread ISO 7/1	Ext. thread ISO 228/1
15	80	Rp 1/2	G3/4 A
20	80	Rp 3/4	G1 A
25	100	Rp 1	G1 1/4 A
32	150	Rp 1 1/4	G1 1/2 A
40	150	Rp 1 1/2	G1 3/4 A
50	150	Rp 2	G2 1/4 A



Shut off



Setting



Flushing

